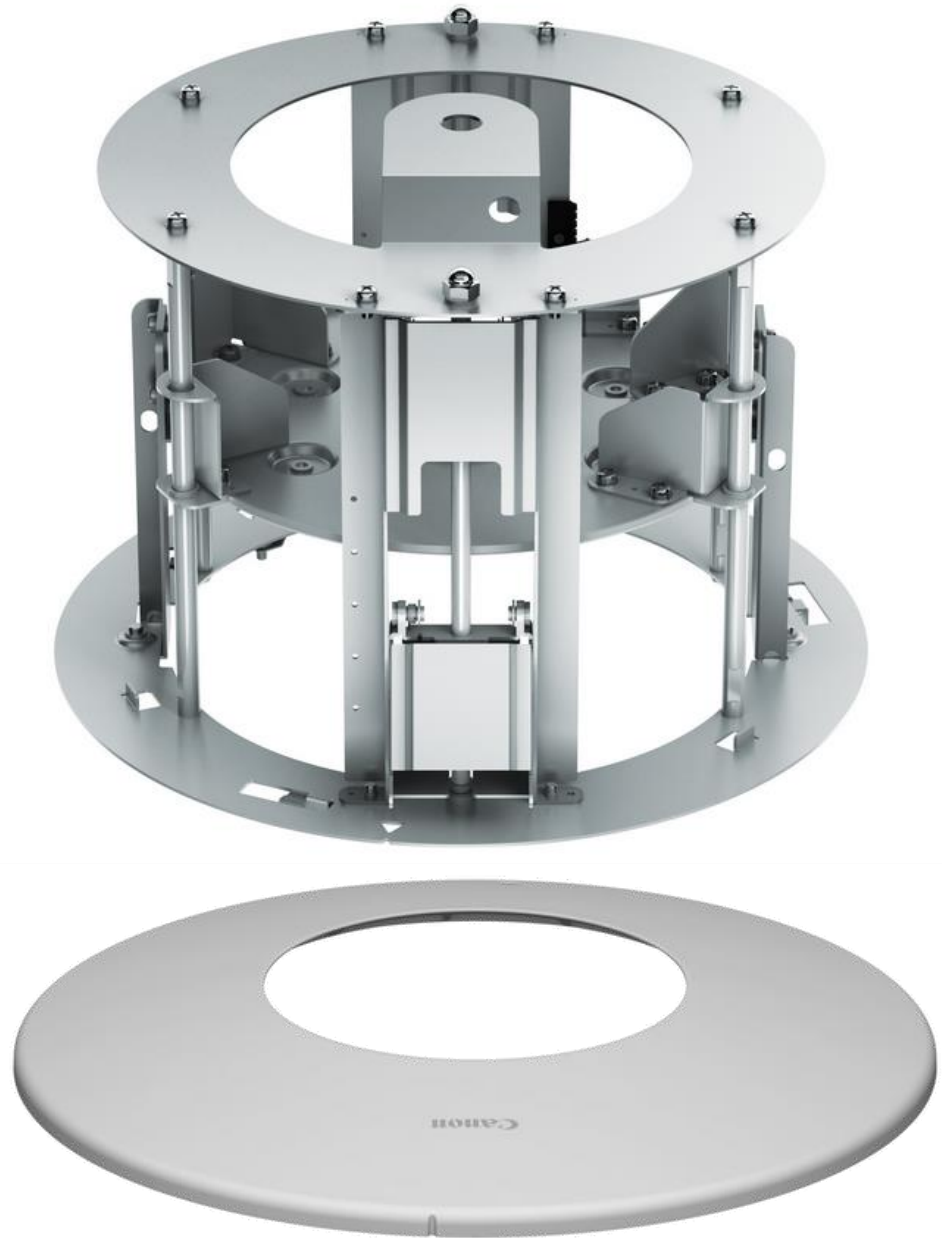


Recessed Mounting Kit SR640-S-VB

- This accessory is used for recessed mounting the camera into a ceiling
- Dimension: (φ x H)
 $\varphi 226 \times 152$ mm
($\varphi 8.90 \times 5.98$ in.)
- Weight: Approx. 1150g (2.54lb.)
- Compatible with Canon VB-M640V and VB-M641V



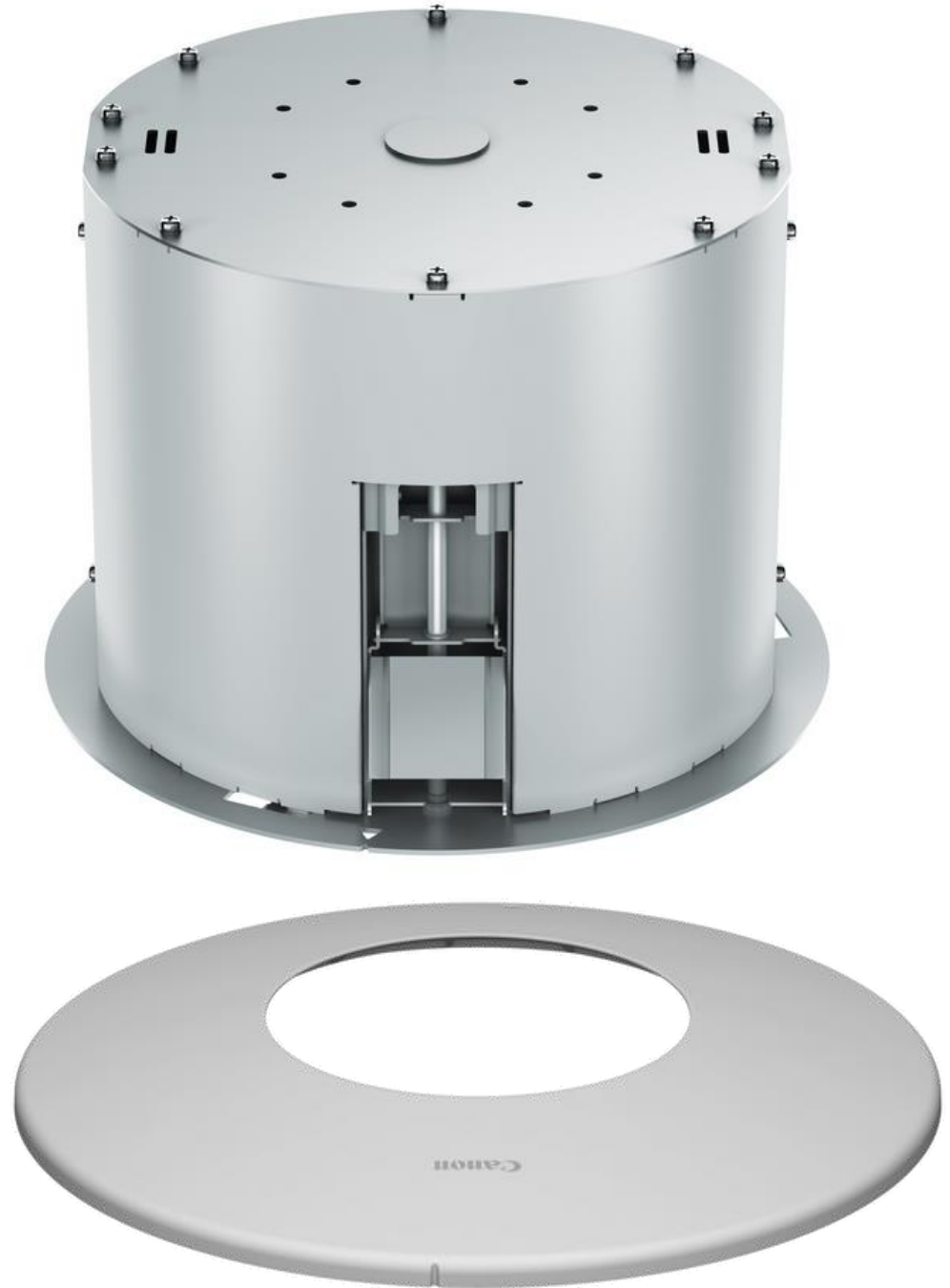
Plenum Mounting Kit SR640-P-VB

- This accessory is used for recessed mounting the camera in a plenum area, supporting connection to junction box as well as a $\frac{3}{4}$ " NPS pipe.

- Dimension: (ϕ x H)
 $\phi 226 \times 159 \text{ mm}$
($\phi 8.90 \times 6.26 \text{ in.}$)

- Weight: Approx. 2250g (4.97lb.)

- Compatible with Canon VB-M640V and VB-M641V



Pendant Mounting Kit PC640-VB

- This accessory is used for connecting camera to 1.5" NPS Pipe

- Dimension: (φ x H)
 φ 197 x 105 mm
(φ 7.76 x 4.13 in.)

- Weight: Approx. 750g (1.66lb.)

- Compatible with Canon VB-R11, VB-M640V, VB-M640VE, VB-M641V, VB-M641VE, VB-M740E and VB-M741LE



Tinted Capsule DU640-S-VB

- This accessory is a replacement smoked capsule
 - Dimension: (φ x H)
 φ 115 x 65 mm
(φ 4.53 x 2.56 in.) Weight:
Approx. 90g (3.2oz.)
 - Compatible with Canon VB-M640V, VB-M641V, VB-M640VE, VB-M641VE



AC Adapter PA-V18 (Optional)

▪Dimension: (H x W x D) 32 x 60 x 130 mm (1.26 x 2.36 x 5.12 in.), excluding projections.

Weight: Approx. 245 g (8.7 oz.)
(excluding power cable)

▪Input: 100 – 240 V AC, 50/60 Hz

▪Output: 13.1 V DC Max. 1.8 A
(temperature: -10°C – $+35^{\circ}\text{C}$ ($+14^{\circ}\text{F}$ – $+95^{\circ}\text{F}$)), 13.1 V DC Max. 1.1 A
(temperature: -10°C – $+50^{\circ}\text{C}$ ($+14^{\circ}\text{F}$ – $+122^{\circ}\text{F}$))

▪Operating Temperature: -10°C – $+50^{\circ}\text{C}$ ($+14^{\circ}\text{F}$ – $+122^{\circ}\text{F}$)

Humidity: 5% – 85% (without condensation)

▪Compatible with Canon VB-M42/B, VB-M620D, VB-M620VE, VB-M720F, VB-H43/B, VB-H630D, VB-H630VE, VB-H730F, VB-R11, VB-R10VE, VB-R11VE, VB-M641V, VB-M641VE, VB-M741LE

